

Shower Chair Script Form

Foldable Toilet & Shower Wheelchair 90800

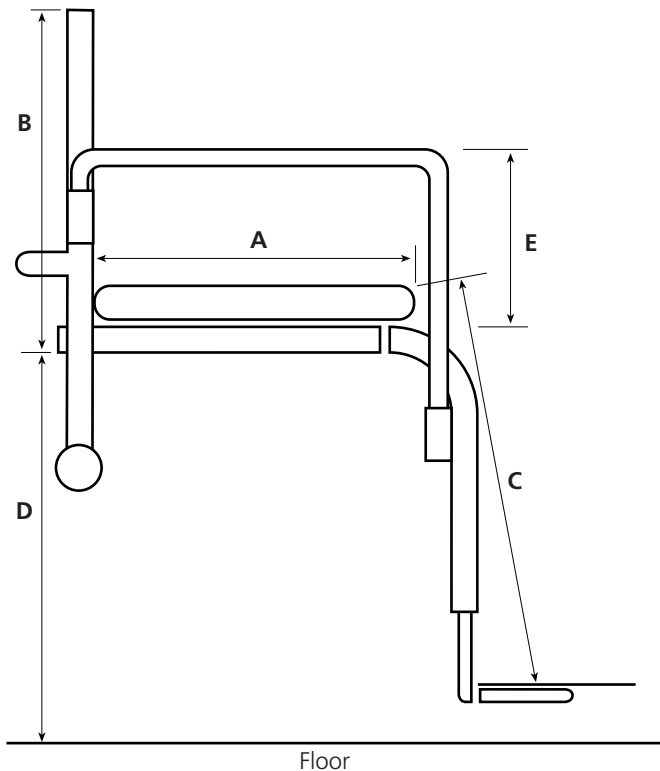
To Order Fill in the frame dimensions and features required. For variations describe in detail on a separate page. If you have any further questions contact us at the address at the bottom of the page.

Date _____	Delivery details _____				
Name _____	_____				
Address _____	_____				
_____	_____				
Phone _____	_____				
Fax / Cell _____	Required by _____				
Email _____	(Delivery is normally 4-6 weeks from order confirmation)				
Disability _____	Grading _____	Weight _____	Height _____	Shoe Size _____	T-Shirt Size _____

MEASUREMENTS (Refer to diagram)

Seat Width std 16" _____	C Seat to footplate std adjustable _____	Castors std 5" _____
A Seat Length std 16" _____	D Seat to floor std 20" _____	Rear Wheels std 20" _____
B Back Height std 16" _____	E Armrests std 11" _____	
	(from seat base)	

FABRICATION NOTES (you can type here)



Shower Chair Script Form

Foldable Toilet & Shower Wheelchair

Name _____

CASTORS

- 5" braked 5" unbraked

WHEELS

- Standard composite 20"
 Standard cross spoked 20"
 Other _____

TYRES

- Solid
 Pneumatic

PUSHRIMS

- Hard anodised only standard

SEAT

- 12" standard oval padded vinyl toilet seat
 Other _____

PAN CARRIER

- Removable pan carrier and pan

BAG

- Carry bag for chair

TRANSIT OPTION

- 2 locking front castors and 2 fixed rear castors

COLOUR

White only

OTHER VARIATIONS

(you can type here)